

ANURAG Engineering College
(An Autonomous Institution)

II B.Tech II Semester Supplementary Examinations, June/July-2024
MACHINE DRAWING
(MECHANICAL ENGINEERING)

Time: 3 Hours

Max. Marks: 75

Section – A (Short Answer Two questions)

(2*15=30Marks)

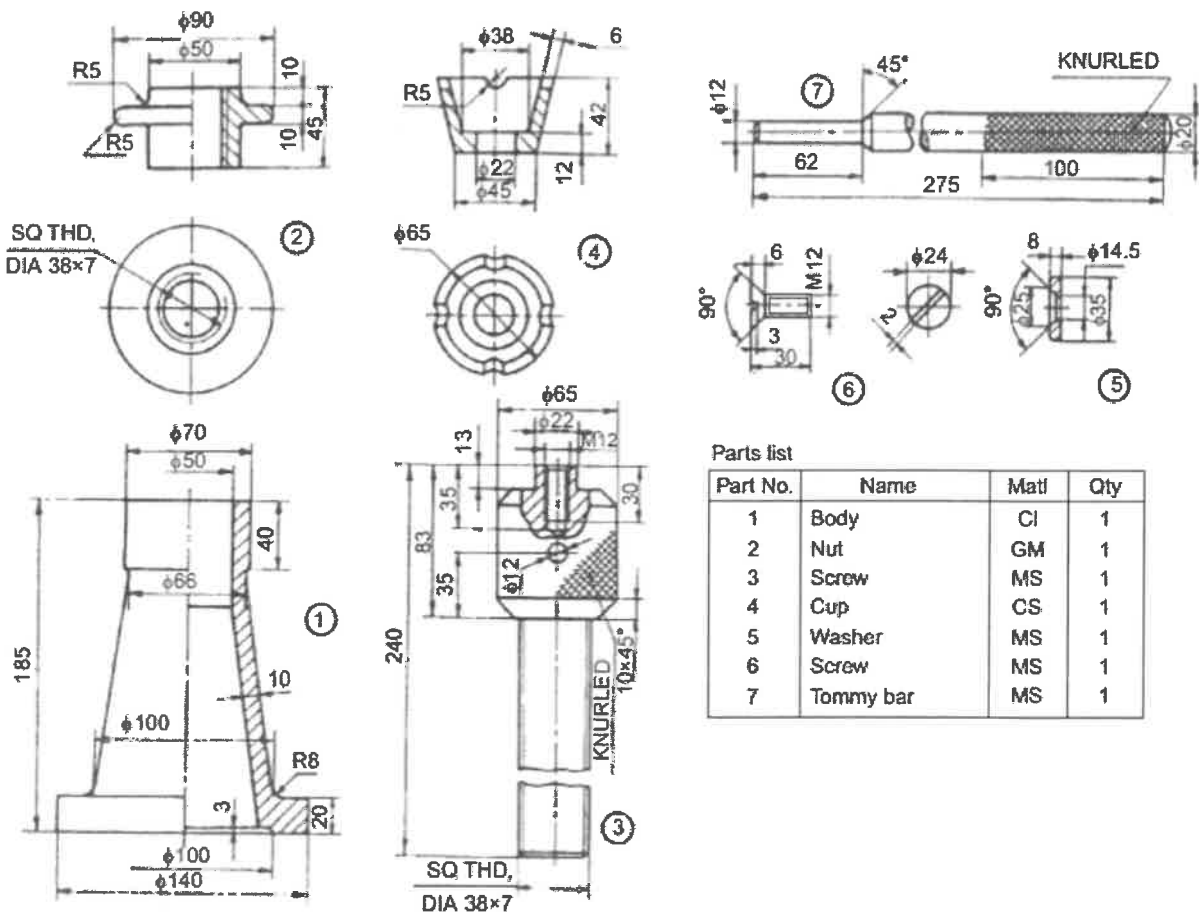
- | | Marks | Course Outcome | B.T. Level |
|---|-------|----------------|------------|
| 1. Draw the three views of a hexagonal headed bolt of nominal diameter 25 mm and length 100mm; with a hexagonal nut and washer. | 15M | CO1 | L3 |
| 2. Sketch the three views of triple riveted zig zag lap joint of 12 mm thick plates. | 15M | CO2 | L3 |
| 3. Draw the sectional front view and top view of knuckle joint with sleeves to connect shafts of 35 mm. | 15M | CO3 | L3 |
| 4. Draw a proportionate diagram of Journal bearing for a shaft of dia. 40mm. | 15M | CO4 | L3 |

SECTION-B (Compulsory question)

Answer all questions, each question carries equal marks.

(1 X 45M = 45M)

- | | | | |
|--|-----|-----|----|
| 5. Assemble all parts of the screw jack, shown in Fig. and draw the (i) Half sectional view from the front, and (ii) View from above | 45M | CO5 | L3 |
|--|-----|-----|----|



Parts list

Part No.	Name	Matl	Qty
1	Body	CI	1
2	Nut	GM	1
3	Screw	MS	1
4	Cup	CS	1
5	Washer	MS	1
6	Screw	MS	1
7	Tommy bar	MS	1